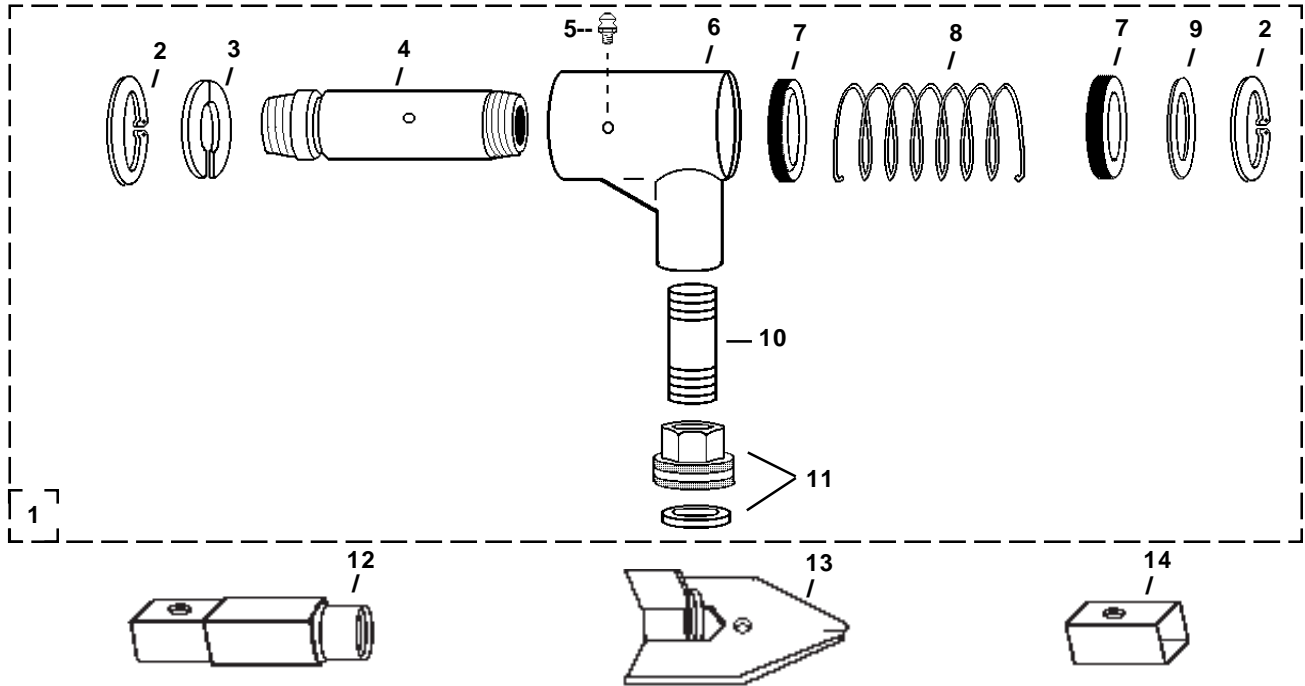


Water Swivel Assembly Spare Parts



<u>Item #</u>	<u>Part #</u>	<u>Description</u>	<u>Qty</u>
	20100-2,3,4*	Horizontal Drill Kit (includes all of above)	1
1	20000	Water Swivel Assembly	1
2	20001	Snap Ring	2
3	20012	Washer, Split Thrust	1
4	20006	Main Shaft	1
5	9036	Grease Fitting	1
6	20005	Swivel Body	1
7	20003	Seal	2
8	20014	Spring	1
9	20002	Aluminum Washer	1
10	30290	Nipple, 1/2"	1
11	20009	Hose Connector	1
12	20023	Adaptor for Water Swivel	1
13	20022-2,3,4*	Water Drill Bit	1
		* 2", 3" or 4", Specify Bit Size	
14	20025	Key for Horizontal Drilling	1
	20000-1	Water Swivel Repair Kit (not shown)	

LITTLE BEAVER, INC.
P.O. BOX 840
LIVINGSTON TEXAS 77351
PH: 936/327-3121
FAX: 936/327-4025

HORIZONTAL BORING WITH LITTLE BEAVER EARTH DRILLS

EQUIPMENT AND MATERIALS REQUIRED

Little Beaver Earth Drill -- Any Model

1. Water Swivel Adaptor (Part #20023)
2. Water Swivel Assembly (Part #20000)
3. 3/4" Pipe Collars -- enough for connecting pipe sections and attachments
4. 3/4" Schedule 80 Water Pipe - Long enough for the hole being bored plus 15 feet
5. Water Drill Bit (Part #20022-2,3 or 4")
Stakes for aiming
Key (Part #20025)

PROCEDURE:

Remove the torque tube from the **Little Beaver** Earth Drill. Place the key (#20025) over the torque tube connection on the engine. Assemble the attachments, as shown below, and lay them on the ground.

A starting trench should be dug on the side of the street or sidewalk from which the bore is to be started and a target hole should be dug on the opposite side. The length of the starting trench depends on the depth at which the bore is to be made. It should be long enough to allow 8 to 10 feet of the bore pipe to lie level. If the bore is to be inclined, bore from the low side if at all possible. This will allow the water and cuttings to flow out.

Aiming may be accomplished by placing one stake vertically above the starting point and another above the target hole. The drill operator can take a sight on these two stakes and guide the bore pipe accordingly.

After initial preparations have been completed, connect the adaptor (#20023) to the transmission of the **Little Beaver** Earth Drill. Place the bore pipe and drill bit into the starting trench and position the bit into the dirt at the desired point. Turn on the water supply and wait for the water to flow from the hole in the drill bit. Start the drill turning by closing the throttle lever on the handle, and apply a steady pressure to the pipe. Do not force the drill bit, but allow it to cut its way through and flush out the cuttings. Upon completing the bore, the bit may be pulled through backwards, still turning, to ream and clean out the hole.

NOTE: Before each use, lubricate the water swivel assembly with water pump grease or a water proof outboard motor grease.

